

# Capacitor Protection

## Amp-Trap® and 9F60 Series

### Medium voltage capacitor fuses:

Mersen capacitor fuses are designed to ANSI C37-41. They are current-limiting operating without noise or discharge and are designed to be used indoors in a general purpose enclosure or outdoors in a weatherproof enclosure. These are non-disconnecting fuses requiring the use of a disconnect switch. These capacitor fuses provide both short circuit and overload protection and are intended to protect against capacitor case rupture or dielectric failure within the capacitor.

The various mounting configurations offer manufacturers a wide range of cost and space saving solutions and a large choice of equivalent products to users.

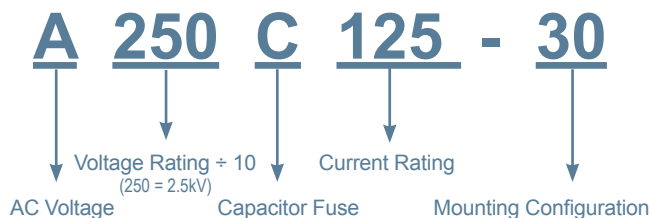
### Features/Benefits:

- High interrupting capacity
- Current limitation
- Blown-fuse indication
- Direct mount
- Clip style mount
- Bus mount
- Non-venting for silent operation

### Applications:

- Capacitor Protection
- Power Factor Correction Equipment
- Harmonic Filtering Equipment
- Induction Heating System
- High Power Drive
- Welders

### Catalog Numbering System:



### Ratings:

#### A100C

**Volts** : 1000V AC Max.  
**Amps** : 25 to 125 A  
**IR** : 50 kA Sym

#### A150C

**Volts** : 1500V AC Max.  
**Amps** : 25 to 200 A  
**IR** : 40 kA Sym

#### A250C

**Volts** : 2500V AC Max.  
**Amps** : 25 to 200 A  
**IR** : 50 kA Sym

#### A300C

**Volts** : 3000V AC Max.  
**Amps** : 50 to 175 A  
**IR** : 50 kA Sym

#### A430C

**Volts** : 4300V AC Max.  
**Amps** : 6 to 100 A  
**IR** : 65 kA Sym

#### A550C

**Volts** : 5500V AC Max.  
**Amps** : 6 to 75 A  
**IR** : 65 kA Sym

#### 9F60RJD

**Volts** : 5500V AC Max.  
**Amps** : 25 to 80 A  
**IR** : 50 kA Sym

#### 9F60RJF

**Volts** : 9520V AC Max.  
**Amps** : 15 to 40A  
**IR** : 50 kA Sym



Shah & Shah Enterprise

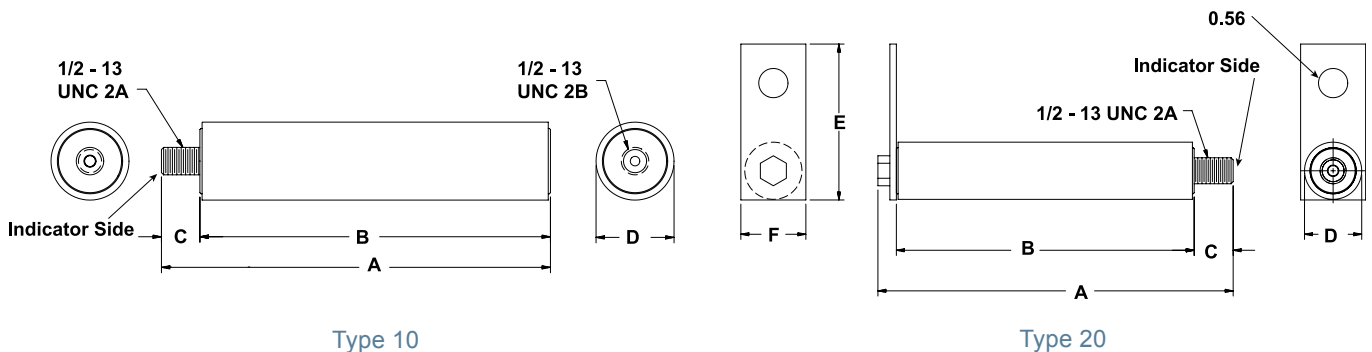
[www.shahent.co.in](http://www.shahent.co.in)

# Capacitor Protection

## Amp-Trap® and 9F60 Series

### 1.0 kV - 1.5 kV Capacitor Fuses Amp-Trap Series

Catalog Number	Ampere Rating	Melting I <sup>2</sup> t (kA <sup>2</sup> s)	Maximum 1 Clearing I <sub>2</sub> t (kA <sup>2</sup> s)	Maximum 1 Phase Interrupting Rating	Overall Length Inches (mm)	Tube Length Inches (mm)	Ind. Housing Inches (mm)	Body Dia Inches (mm)	Bracket Dimensions Inches (mm)	
					A	B	C	D	E	F
<b>1.5 kV Max Type 10 inner thread to screw</b>										
A150C25-10	25	4	12	40 kA @1500V RMS Sym	7.08 (179.8)	6.38 (162.1)	.70 (17.8)	1.42 (36.0)		
A150C50-10	50	16	50							
A150C60-10	60	25	70							
A150C75-10	75	35	110							
A150C90-10	90	50	150							
A150C100-10	100	65	200							
A150C110-10	110	80	250							
A150C120-10	120	100	310							
A150C125-10	125	125	330							
A150C130-10	130	125	330							
A150C135-10	135	130	350							
A150C140-10	140	130	350							
A150C150-10	150	150	390							
A150C160-10	160	185	480							
A150C165-10	165	185	480							
A150C175-10	175	225	600							
A150C200-10	200	300	800							
<b>1.5 kV Max Type 20 screw to bolt (flat bracket)</b>										
A150C25-20	25	3.2	6.5	40 kA @1500V RMS Sym	6.84 (173.6)	5.73 (145.5)	1.42 (36.0)	1.10 (27.9)	3.00 (76.2)	1.25 (31.8)
A150C50-20	50	13	27							
A150C60-20	60	18	38							
A150C75-20	75	30	60							
A150C90-20	90	35	72							
A150C100-20	100	52	105							
A150C110-20	110	58	120							
A150C120-20	120	73	150							
A150C125-20	125	82	165							
A150C130-20	130	90	190							
A150C135-20	135	90	190							
A150C140-20	140	105	220							
A150C150-20	150	120	240							
A150C160-20	160	185	480							
A150C165-20	165	185	480							
A150C175-20	175	225	600							
A150C200-20	200	300	800							
					7.48 (189.9)	6.37 (161.8)	.75 (19.1)	1.42 (36.0)	3.00 (76.2)	1.25 (31.8)



# Capacitor Protection

## Amp-Trap® and 9F60 Series

### 1.0 kV - 1.5 kV Capacitor Fuses Amp-Trap Series

Catalog Number	Ampere Rating	Melting I <sup>2</sup> t (kA <sup>2</sup> s)	Maximum 1 Clearing I <sup>2</sup> t (kA <sup>2</sup> s)	Maximum 1 Phase Interrupting Rating	Overall Length Inches (mm)	Tube Length Inches (mm)	Ind. Housing Inches (mm)	Body Dia Inches (mm)	Bracket Dimensions Inches (mm)	
					A	B	C	D	E	F
<b>1.0 kV Max Type 30 external female to bolt (L bracket)</b>										
A100C25-30	25	4	10	50 kA @1000V RMS Sym	6.38 (162.1)	4.42 (112.3)	.75 (19.1)	1.10 (27.9)	5.76 (146.2)	1.25 (31.8)
A100C50-30	50	16	40							
A100C60-30	60	25	60							
A100C75-30	75	35	95							
A100C90-30	90	50	130							
A100C100-30	100	65	165							
A100C110-30	110	80	205							
A100C125-30	125	100	250							
<b>1.5 kV Max Type 40 external female to external female</b>										
A150C100-40	100	125	140	40 kA @1500V RMS Sym	6.84 (173.6)	4.78 (121.4)	.51 (13.0)	1.75 (27.9)	.75 (19.1)	1.41 (35.8)
A150C110-40	110	125	180							
A150C125-40	125	130	230							
A150C130-40	130	130	230							
A150C140-40	140	150	285							
A150C150-40	150	185	315							
A150C160-40	160	185	360							
A150C175-40	175	225	410							
A150C200-40	200	300	560							
<b>1.5 kV Max Type 50 screw to bolt (L bracket)</b>										
A150C50-50	50	13	27	40 kA @1500V RMS Sym	8.11 (206.0)	5.74 (145.8)	.75 (19.1)	1.10 (27.9)	7.49 (190.2)	1.25 (31.8)
A150C60-50	60	18	38							
A150C75-50	75	30	60							
A150C90-50	90	35	72							
A150C100-50	100	52	105							
A150C110-50	110	58	120							
A150C120-50	120	73	150							
A150C125-50	125	82	165							
A150C130-50	130	90	190							
A150C135-50	135	90	190							
A150C140-50	140	105	220							
A150C150-50	150	120	240							
A150C160-50	160	185	480							
A150C165-50	165	185	480							
A150C175-50	175	225	600							
A150C200-50	200	300	800							

